



**400C & 450C DUAL PERFORMANCE VALUE PACKS**



**(Chrome)**  
**P/N 40013**



**(Stealth Black)**  
**P/N 40048**



**(Silver)**  
**P/N 45012**



**(Chrome)**  
**P/N 45013**

**IMPORTANT:**

It is essential that you and any other operator of this product read and understand the contents of this manual before installing and using this product.

**SAVE THIS MANUAL FOR FUTURE REFERENCE**



**USER MANUAL**





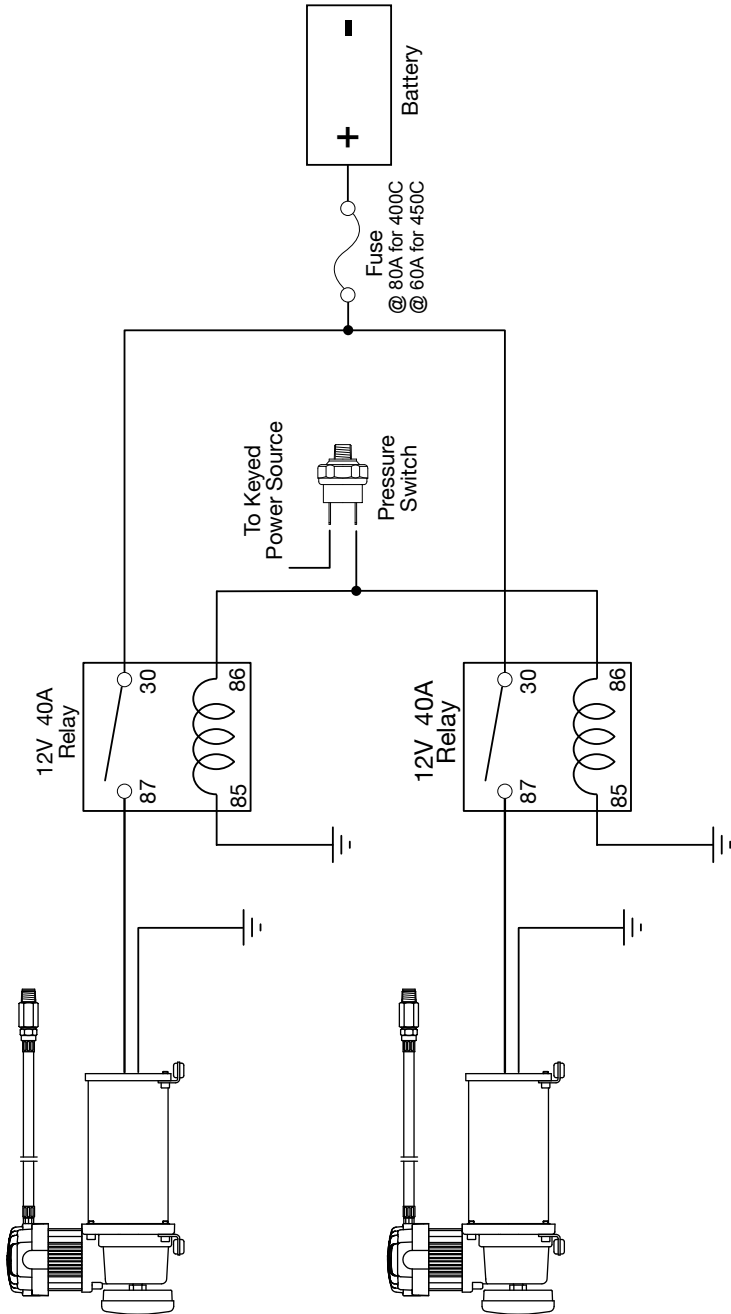






# 400C & 450C DUAL PERFORMANCE VALUE PACKS

## Wiring Diagram: (Fuse Not Included)



## 400C & 450C DUAL PERFORMANCE VALUE PACKS

### SPECIFICATIONS

---

- Part No. 40013 / Dual 400C Value Pack / Chrome (CE Certified)
- Part No. 40048 / Dual 400C Value Pack / Stealth Black (CE Certified)

Motor Voltage:	12-Volts
Max. - Amperage - Single:	30-Amps
Max. - Amperage - Combined:	60-Amps
Motor Type:	Permanent Magnetic
Horsepower:	1/4
Max. Working Pressure:	150 PSI
Max. Duty Cycle (@ 72°F & 100 PSI):	33%
Minutes On/Off (@ 72°F & 100 PSI):	20 min. / 40 min. 150
Max. Restart Pressure:	PSI
Max. Ambient Temperature:	158°F
Min. Ambient Temperature:	40°F
Auto. Reset Thermal Protection:	Yes
Ingress Protection Rating:	IP67

- Part No. 45012 / Dual 450C Value Pack / Silver (CE Certified)
- Part No. 45013 / Dual 450C Value Pack / Chrome (CE Certified)

Motor Voltage:	12-Volts
Max. - Amperage - Single:	23-Amps
Max. - Amperage - Combined:	44-Amps
Motor Type:	Permanent Magnetic
Horsepower:	1/4
Max. Working Pressure:	150 PSI
Max. Duty Cycle (@ 72°F & 100 PSI):	100%
Minutes On/Off (@ 72°F & 100 PSI):	Continuous
Max. Restart Pressure:	150 PSI
Max. Ambient Temperature:	158°F
Min. Ambient Temperature:	-40°F
Auto. Reset Thermal Protection:	Yes
Ingress Protection Rating:	IP67

### LIMITED WARRANTY:

VIAIR® Corporation warrants this product, when properly installed and under normal conditions of use, to be free from defects in workmanship and materials for a period of one year from its original date of purchase. To receive warranty service or repair, please contact VIAIR® Corporation.

Returns should be made within one year of the date of purchase, after a Return Goods Authorization (RGA) number has been assigned by VIAIR® Corporation. To obtain RGA, fax a copy of your receipt to (949) 585-0188. For complete warranty details, please visit: [www.viaircorp.com/warranty](http://www.viaircorp.com/warranty)

### PLEASE NOTE:

THIS WARRANTY COVERS PRODUCT DEFECTS ONLY; IT DOES NOT COVER INCIDENTAL OR CONSEQUENTIAL DAMAGES AS RESULT OF MISUSE OR ABUSE.

This Manual is proprietary to VIAIR® Corporation and no ownership rights are hereby transferred. No part of the Manual shall be used, reproduced, translated, converted, adapted, stored in a retrieval system, communicated or transmitted by any means, for any commercial purpose, including without limitation, sale, resale, license, rental or lease, without the prior express written consent of VIAIR®. VIAIR® does not make any representations, warranties or guarantees, express or implied, as to the accuracy or completeness of the Manual. Users must be aware that updates and amendments will be made from time to time to the Manual. It is the user's responsibility to determine whether there have been any such updates or amendments. Neither VIAIR® nor any of its directors, officers, employees or agents shall be liable in contract, tort or in any other manner whatsoever to any person for any loss, damage, injury, liability, cost or expense of any nature, including without limitation incidental, special, direct or consequential damages arising out of or in connection with the use of the Manual.



15 EDELMAN • IRVINE, CA 92618  
TEL: (949) 585-0011 • FAX: (949) 585-0188  
[www.viaircorp.com](http://www.viaircorp.com)

**USER MANUAL**