



485C Gen 2 Compressor

200 PSI / 2.24 CFM

Max. Amp Draw: 23 Amps

P/N 48500 - Platinum

P/N 48502 - Stealth Black

CE

CE



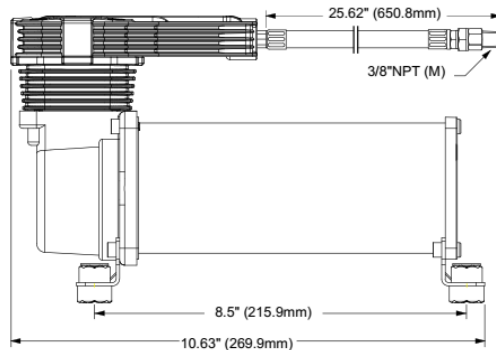
100% DUTY @ 200 PSI

The 485C Gen 2 air compressors deliver game-changing performance, delivering 1-hour of performance at 200 PSI before needing rest. This unit is the premium choice for industrial and automotive applications.

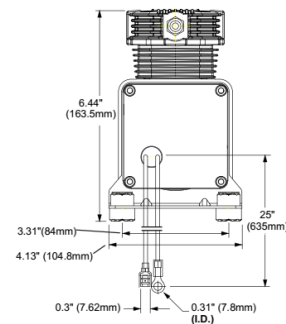
Note: Use thread sealant for proper installation. Thread tape is not recommended. Properly sealed, recommended torque is 12 to 15 ft. lbs.



P/N 48502



P/N 48500



Included Parts:

- Thermal Overload Protector
- 485C (Platinum or Stealth Black) Compressor
- Air Filter Assembly
- VIAIR Removable Filter Cover
- Replacement Air Filter Elements
- Remote Mount Filter Assembly
- Leader Hose Clip
- (3) Air Line Clip with Included Hardware
- Mounting Hardware
- Stainless Steel Braided Leader Hose with Inline Check Valve
- Air Line (For Remote Mount Filter Installation)

Specifications:

- 12-Volt
- Permanent Magnetic Motor
- Duty Cycle: 100% @ 200 PSI
- Max. Working Pressure: 200 PSI
- Max. Air Tank Size: 5.0 Gallon
- Combined Max. Amp Draw: 23-Amps
- Ingress Protection Rating: IP67
- Max Ambient Temp: +158°F
- Min Ambient Temp: -40°F
- Dimensions: 10.63" L x 4.1" W x 6.44" H
- Net Weight: 11.10 lbs.

Performance Data					
12-VOLT COMPRESSOR - Supply Voltage 13.8 Volts					
PSI	CFM	A	BAR	LPM	A
0	2.24	12	0	70	12
20	1.75	16	2	47	16
40	1.61	18	4	41	20
60	1.47	20	6	35	21
80	1.36	21	8	29	22
100	1.23	22	10	25	23
120	1.11	22	12	21	21
140	1.01	23	13.8	17	19

Tank Fill Rates	
2.5 GALLON TANK	FILL RATE
0 to 200 PSI	4 min. 50 sec. (± 10 sec.)
165 to 200 PSI	1 min. 15 sec. (± 05 sec.)
5.0 GALLON TANK	FILL RATE
0 to 200 PSI	9 min. 45 sec. (± 15 sec.)
165 to 200 PSI	2 min. 25 sec. (± 05 sec.)

Applications include:

