



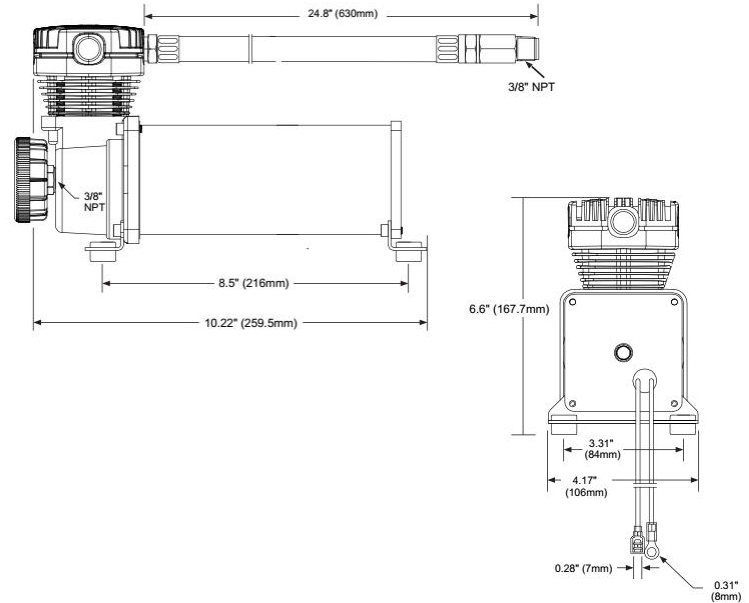
460C Compressor

150 PSI / 1.80 CFM
Max. Amp Draw: 23 Amps
P/N 46043 CE



The 460C is a continuous duty cycle air compressor, meaning it can run continuously for 1-hour before needing rest. Features include a standard 3/8" NPT stainless steel braided leader hose with inline check valve and insulated wiring for simple installation.

Note: Use thread sealant for proper installation. Teflon tape is not recommended. Properly sealed, recommended torque is 12 to 15 ft. lbs.



Please contact your representative for pricing.

Included Parts:

- Thermal Overload Protector
- Check Valve
- Vibration Isolators
- Mounting Hardware
- Stainless Steel Braided Leader Hose
- Air Line for Remote Mount Air Filter
- Remote Mount Air Filter Assembly
- (2) Replacement Air Filter Elements
- Installation Instructions

Recommended Components:

- 0.5 Gallon Tank - P/N 91005,
- 1.0 Gallon Tank - P/N 91010,
- 2.0 Gallon Tank - P/N 91022,
- 2.5 Gallon Tank - P/N 91025,
- 5.0 Gallon Tank - P/N 91050;
- 12V Relay - P/N 93940, 93980;
- Pressure Switches - P/N 90100, 90101, 90102;
- Pressure Switches with Relay - P/N 90110, 90111;
- Sealed Pressure Switches - P/N 90217, 90223, 90227

Specifications:

- 12-Volt
- Permanent Magnetic Motor
- Duty Cycle: 100% @ 100 PSI
- Max. Working Pressure: 150 PSI
- Max. Air Tank Size: 5.0 Gallon
- Max. 12V Amp Draw: 24-Amps
- Ingress Protection Rating: IP67
- Max Ambient Temp: +158°F
- Min Ambient Temp: -40°F
- Dimensions: 11.5" L x 4.3" W x 6.5" H
- Net Weight: 11.10 lbs.

Performance Data					
12-VOLT COMPRESSOR - Supply Voltage 13.8 Volts					
PSI	CFM	A	BAR	LPM	A
0	1.8	13	0	51	12
20	1.6	16	2	43.3	17
40	1.39	19	4	34	21
60	1.18	21	6	28.1	22
80	1.04	22	8	25	24
100	0.94	23	10	21	22

Tank Fill Rates	
2.5 GALLON TANK	FILL RATE
0 to 105 PSI	1 min. 55 sec. (± 10 sec.)
85 to 105 PSI	28 sec. (± 05 sec.)
0 to 145 PSI	3 min. 02 sec. (± 10 sec.)
110 to 145 PSI	59 sec. (± 05 sec.)
5.0 GALLON TANK	FILL RATE
0 to 105 PSI	4 min. 00 sec. (± 10 sec.)
85 to 105 PSI	58 sec. (± 05 sec.)
0 to 145 PSI	6 min. 25 sec. (± 15 sec.)
110 to 145 PSI	2 min. 11 sec. (± 10 sec.)

Applications include:

