



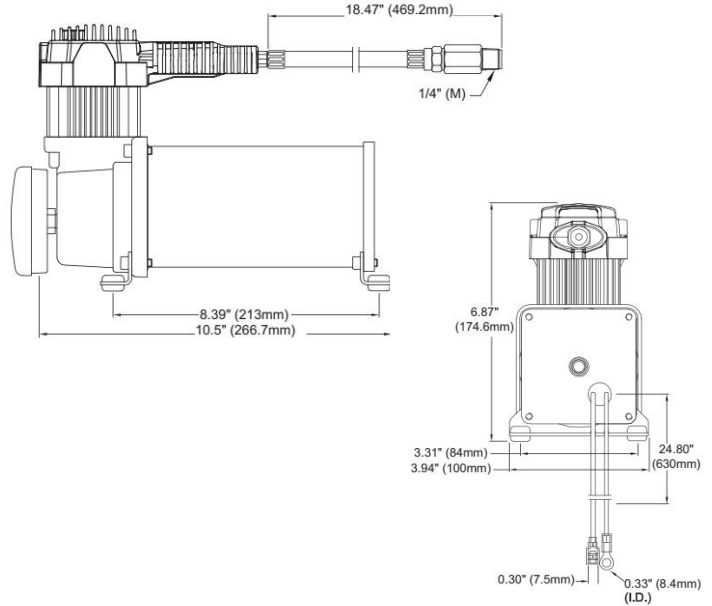
# 450C Compressor

**150 PSI / 1.80 CFM**  
**Max. Amp Draw: 23 Amps**  
**P/N 45040** CE



450C is a continuous duty cycle compressor. Features include a standard 1/4" NPT stainless steel braided leader hose with inline check valve and insulated wiring for simple installation.

**Note:** Use thread sealant for proper installation. Teflon tape is not recommended. Properly sealed, recommended torque is 12 to 15 ft. lbs.



Please contact your representative for pricing.

**Included Parts:**

- Thermal Overload Protector
- Check Valve
- Vibration Isolators
- Mounting Hardware
- Stainless Steel Braided Leader Hose
- Air Line for Remote Mount Air Filter
- Remote Mount Air Filter Assembly
- (2) Replacement Air Filter Elements
- Installation Instructions

**Recommended Components:**

- 0.5 Gallon Tank - P/N 91005,
- 1.0 Gallon Tank - P/N 91010,
- 2.0 Gallon Tank - P/N 91022,
- 2.5 Gallon Tank - P/N 91025,
- 5.0 Gallon Tank - P/N 91050;
- 12V Relay - P/N 93940, 93980;
- Pressure Switches - P/N 90100, 90101, 90102;
- Pressure Switches with Relay - P/N 90110, 90111;
- Sealed Pressure Switches - P/N 90217, 90223, 90227

**Specifications:**

- 12-Volt
- Permanent Magnetic Motor
- Duty Cycle: 100% @ 100 PSI
- Max. Working Pressure: 150 PSI
- Max. Air Tank Size: 5.0 Gallon
- Max. 12V Amp Draw: 23-Amps
- Ingress Protection Rating: IP67
- Max Ambient Temp: +158°F
- Min Ambient Temp: -40°F
- Dimensions: 10.6"L x 4"W x 6.87"H
- Net Weight: 10.80 lbs.

**Performance Data**

12-VOLT COMPRESSOR - Supply Voltage 13.8 Volts					
PSI	CFM	A	BAR	LPM	A
0	1.8	12	0	51	12
20	1.6	16	2	43.3	17
40	1.39	18	4	34	19
60	1.18	19	6	28.1	21
80	1.04	20	8	25	23
100	0.94	22	10	21	21

**Tank Fill Rates**

2.5 GALLON TANK	FILL RATE
0 to 105 PSI	1 min. 55 sec. (± 10 sec.)
85 to 105 PSI	28 sec. (± 05 sec.)
0 to 145 PSI	3 min. 02 sec. (± 10 sec.)
110 to 145 PSI	59 sec. (± 05 sec.)
5.0 GALLON TANK	FILL RATE
0 to 105 PSI	4 min. 00 sec. (± 10 sec.)
85 to 105 PSI	58 sec. (± 05 sec.)
0 to 145 PSI	6 min. 25 sec. (± 15 sec.)
110 to 145 PSI	2 min. 11 sec. (± 10 sec.)

Applications include:

