



425C Compressor

175 PSI / 2.60 CFM

Max. Amp Draw: 30 Amps

P/N 42500- Platinum **CE**

P/N 42502 - Stealth Black **CE**



Your Vital Air Source

50% DUTY @ 100 PSI
33% DUTY @ 175 PSI

The 425C air compressor has a duty cycle of 33% at 175 PSI, and 50% at 100 PSI. It features upgraded internal components that make it a true 175 PSI-rated working pressure unit. An updated head design increases duty cycle while decreasing decibel levels. Available in Platinum or Stealth Black, it comes equipped with a stainless steel braided leader hose and inline check valve.

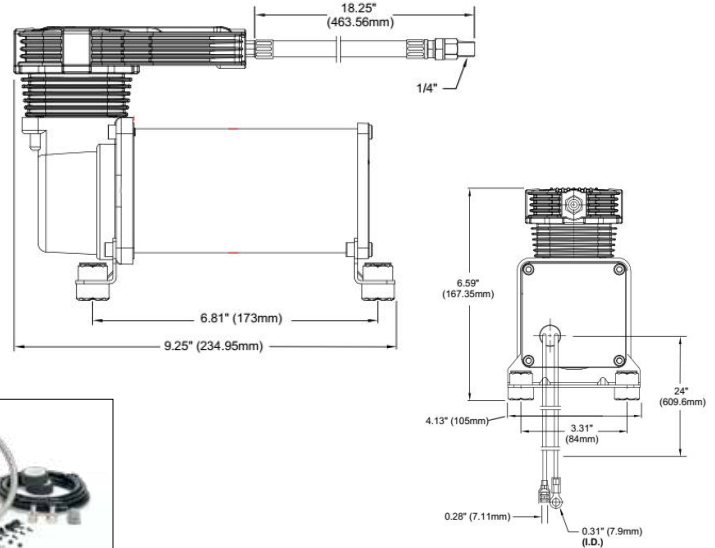
Note: Use thread sealant for proper installation. Thread tape is not recommended. Properly sealed, recommended torque is 12 to 15 ft. lbs.



P/N 42502



P/N 42500



Please contact your representative for pricing.

Included Parts:

- Thermal Overload Protector
- 425C (Platinum or Stealth Black) Compressor
- Stainless Steel Braided Leader Hose with Inline Check Valve
- Air Filter Assembly
- VIAIR Removable Filter Cover
- Replacement Air Filter Elements
- Remote Mount Filter Assembly
- Leader Hose Clip
- Air Line Clip with Included Hardware
- Mounting Hardware
- Air Line (For Remote Mount Filter Installation)

Specifications:

- 12-Volt
- Permanent Magnetic Motor
- Duty Cycle: 50% @ 100 PSI
- Duty Cycle: 33% @ 175 PSI
- Max. Working Pressure: 175 PSI
- Max. Air Tank Size: 5.0 Gallon
- Max. Amp Draw: 30-Amps
- Ingress Protection Rating: IP67
- Max Ambient Temp: +158°F
- Min Ambient Temp: -40°F
- Dimensions: 9.25"L x 4.14"W x 6.59"H
- Net Weight: 11.10 lbs.

Performance Data					
12-VOLT COMPRESSOR - Supply Voltage 13.8 Volts					
PSI	CFM	A	BAR	LPM	A
0	2.6	19	0	73.5	19
20	2.18	22	2	59.7	24
40	1.97	26	4	49.3	27
60	1.71	27	6	41.7	28
80	1.54	28	8	35.2	28
100	1.35	28	10	28.5	28
120	1.18	28	12	23.8	26

Tank Fill Rates	
2.0 GALLON TANK	FILL RATE
0 to 175 PSI	2 min. 20 sec. (± 10 sec.)
140 to 175 PSI	40 sec. (± 05 sec.)
2.5 GALLON TANK	FILL RATE
0 to 175 PSI	2 min. 55 sec. (± 10 sec.)
140 to 175 PSI	50 sec. (± 05 sec.)
5.0 GALLON TANK	FILL RATE
0 to 145 PSI	2 min. 30 sec. (± 10 sec.)
110 to 145 PSI	52 sec. (± 05 sec.)

Applications include:



* Tolerances (±) define a range within which actual performance may fall.

