



410 SS Stealth-Series Dual Air Compressor

200 PSI / 2.94 CFM

Max. Amp Draw: 46 Amps

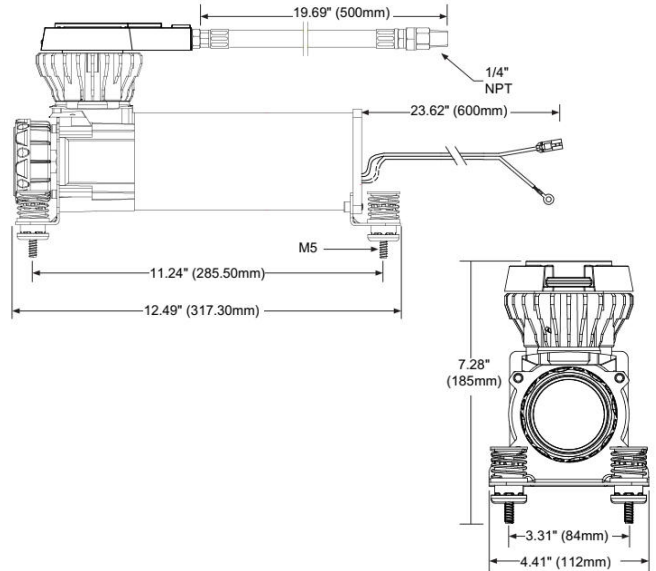
P/N 41042 - 12V



The 410 Stealth-Series (SS) compressor/s feature upgraded internals, a proprietary developed head and a new metal filter assembly with internally integrated muffler, reducing audible noise levels by up to 50% when compared to our other comparable compressors*. Additionally, the 410 Stealth-Series compressors are RoHS/REACH certified and equipped with newly designed spring-loaded vibration isolators, black sleeved stainless steel leader hose and black nickel-plated check valves that eliminate the possibility of high amperage restarts.

Note: Use thread sealant for proper installation. Thread tape is not recommended. Properly sealed, recommended torque for 1/8" is 10 ~ 11 ft. lbs. Recommended torque for 1/4" and 3/8" is 16 ~ 18 ft. lbs.

UP TO 50% QUIETER
THAN COMPAREBLE COMPRESSORS*



*Compared to VIAIR 444C/480C compressors noise levels.

Please contact your representative for pricing.

Included Parts:

- Thermal Overload Protector
- Heavy Duty Pressure Switch (165 PSI on, 200 PSI off)
- Black Sleeved Stainless Steel Braided Leader Hoses
- Inline Check Valve
- 40-Amp 12v Relays
- Spring Loaded Vibration Isolating Feet
- Mounting Hardware
- Air Line for Remote Mount Air Filter
- Remote Mount 6-Stage Air Filter/Muffler Assemblies
- (2) Replacement Air Filter Elements
- Installation Instructions

Specifications:

- 12-Volt
- Permanent Magnetic Motor
- Duty Cycle: 100% @ 100 PSI
- Duty Cycle: 50% @ 200 PSI
- Max. Working Pressure: 200 PSI
- Max. Air Tank Size: 10.0 Gallon
- Max. 12V Amp Draw: 46-Amps
- Ingress Protection Rating: IP67
- Dimensions: 12.5" L x 4.4" W x 7.3" H
- Net Weight: 19.5lbs.

Recommended Components:

2.5 Gallon Tank - P/N 91028

Applications include:



Performance Data					
12-VOLT COMPRESSOR - Supply Voltage 13.8 Volts					
PSI	CFM	A	BAR	LPM	A
0	2.94	30	0	83.3	30
20	2.6	35	2	71.1	35
40	2.38	37	4	62.5	39
60	2.17	39	6	55.6	43
80	2.01	40	8	49.8	43
100	1.85	44	10	43.3	43
120	1.73	43	12	39.3	43
140	1.61	43	14	34.3	42

Tank Fill Rates	
2.5 GALLON TANK	FILL RATE
0 to 145 PSI	1 min. 30 sec. (± 10 sec.)
110 to 145 PSI	30 sec. (± 05 sec.)
0 to 200 PSI	2 min. 25 sec. (± 10 sec.)
165 to 200 PSI	35 sec. (± 05 sec.)
5.0 GALLON TANK	FILL RATE
0 to 145 PSI	3 min. 15 sec. (± 10 sec.)
110 to 145 PSI	1 min. 00 sec. (± 10 sec.)
0 to 200 PSI	5 min. 00 sec. (± 10 sec.)

