



# 380C Compressor

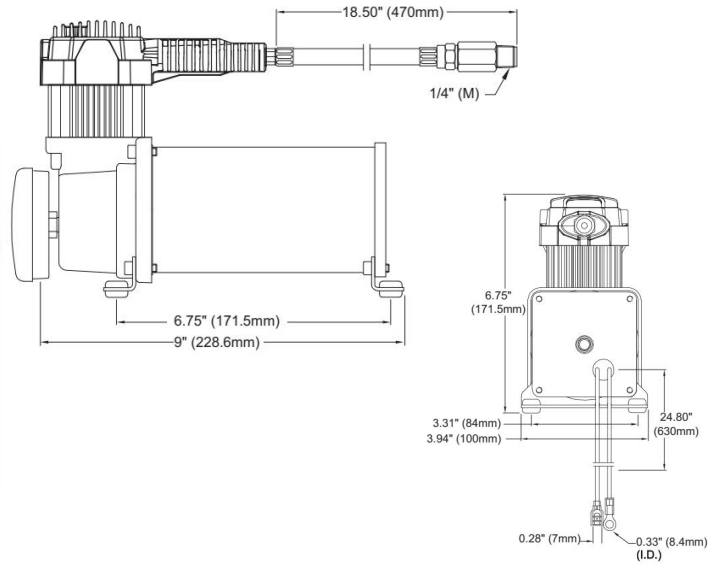
## 200 PSI / 1.58 CFM

Max. Amp Draw: 23 Amps  
P/N 38033 - 12V - Chrome CE



The 380C air compressor can operate continuously for 30min at 200 PSI without exceeding a 23-amp power draw. It features a 1/4" stainless steel braided leader hose with 1/4" NPT inline check valve and insulated wiring.

**Please Note:** Use thread sealant for proper installation. Thread tape is not recommended. Properly sealed, recommended torque for 1/8" is 10 ~ 11 ft. lbs. Recommended torque for 1/4" and 3/8" is 16 ~ 18 ft. lbs.



Please contact your representative for pricing.

### Included Parts:

- Thermal Overload Protector
- Check Valve
- Vibration Isolators
- Mounting Hardware
- Stainless Steel Braided Leader Hose
- Air Line for Remote Mount Air Filter
- Remote Mount Air Filter Assembly
- (2) Replacement Air Filter Elements
- Installation Instructions

### Recommended Components:

- 2.5 Gallon Tank - P/N 91028;
- 12V Relay - P/N 93940; 93977;
- Pressure Switches - All P/Ns

### Specifications:

- 12-Volt
- Permanent Magnetic Motor
- Duty Cycle: **100% @ 100 PSI**  
**55% @ 200 PSI**
- Max. Working Pressure: **200 PSI**
- Max. Air Tank: **5.0 Gallon**
- Min. Ambient Temp: **-40° F**
- Max. Ambient Temp: **158° F**
- Net Weight: 8.75 lbs.
- Ingress Protection Rating: **IP67**

### Dimensions:

(L) 9" x (W) 4" x (H) 6.75"

### Performance Data

PSI	CFM	A	BAR	LPM	A
0	1.58	12	0	44.7	12
40	1.09	16	3	30.6	16
90	0.88	19	6	25.3	19
150	0.67	20	10	19.5	21
200	0.49	18	14	13.5	18

### Tank Fill Rates

2.5 Gallon Tank	Fill Rate
0 to 145 PSI	3 min. 30 sec. (± 10 sec.)
110 to 145 PSI	1 min. 10 sec. (± 05 sec.)
0 to 200 PSI	6 min. 05 sec. (± 10 sec.)
165 to 200 PSI	1 min. 40 sec. (± 05 sec.)
5.0 Gallon Tank	Fill Rate
0 to 145 PSI	7 min. 20 sec. (± 10 sec.)
110 to 145 PSI	2 min. 25 sec. (± 05 sec.)
0 to 200 PSI	13 min. 25 sec. (± 15 sec.)
165 to 200 PSI	3 min. 39 sec. (± 10 sec.)

Applications include:

