



310 SS Stealth-Series Dual Air Compressor

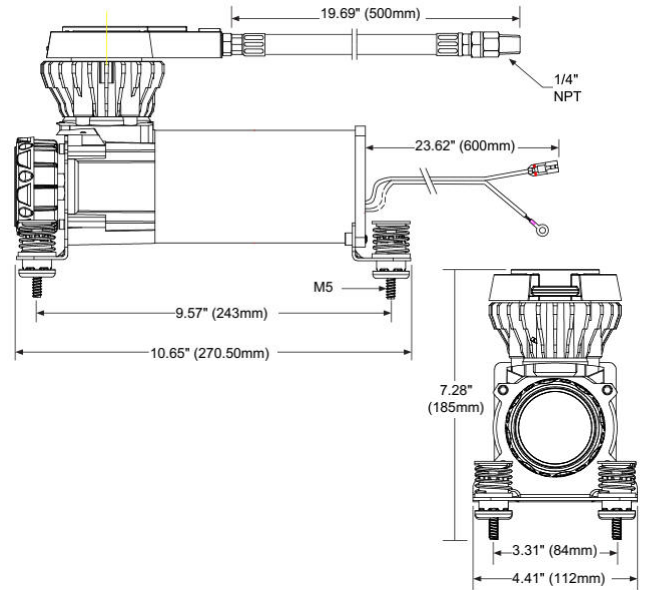
200 PSI / 2.05 CFM
Max. Amp Draw: 46 Amps
P/N 31032 - 12V



The 310 Stealth-Series dual pack compressors feature upgraded internals, a newly developed head and a new metal filter assembly with internally integrated muffler, reducing audible noise levels by up to 50%. Equipped with spring-loaded vibration isolators, black sleeved stainless steel leader hose and black nickel plated check valves. RoHs/REACH certified.

Note: Use thread sealant for proper installation. Thread tape is not recommended. Properly sealed, recommended torque for 1/8" is 10 ~ 11 ft. lbs. Recommended torque for 1/4" and 3/8" is 16 ~ 18 ft. lbs.

UP TO 50% QUIETER
THAN COMPARABLE COMPRESSORS*



*Compared to VIAIR 350C/380C compressors noise levels.

Please contact your representative for pricing.

Included Parts:

- Thermal Overload Protector
- Heavy Duty Pressure Switch (165 PSI on, 200 PSI off)
- Black Sleeved Stainless Steel Braided Leader Hoses
- Inline Check Valve
- 40-Amp 12v Relays
- Spring Loaded Vibration Isolating Feet
- Mounting Hardware
- Air Line for Remote Mount Air Filter
- Remote Mount 6-Stage Air Filter/Muffler Assemblies
- (2) Replacement Air Filter Elements
- Installation Instructions

Specifications:

- 12-Volt
- Permanent Magnetic Motor
- Duty Cycle: 100% @ 100 PSI
- Duty Cycle: 50% @ 200 PSI
- Max. Working Pressure: 200 PSI
- Max. Air Tank Size: 10.0 Gallon
- Max. 12V Amp Draw: 46-Amps
- Ingress Protection Rating: IP67
- Max Ambient Temp: +158°F
- Min Ambient Temp: -40°F
- Dimensions: 10.7" L x 4.4" W x 7.3" H
- Net Weight: 19.5lbs.

Recommended Components:

2.5 Gallon Tank - P/N 91028

Performance Data					
12-VOLT COMPRESSOR - Supply Voltage 13.8 Volts					
PSI	CFM	A	BAR	LPM	A
0	2.05	25	0	58	25
20	1.8	29	2	49	31
40	1.64	32	4	42.7	33
60	1.49	33	6	38.3	35
80	1.39	34	8	34.7	35
100	1.28	35	10	31.7	35
120	1.2	35	12	28.3	36
130	1.17	35	13	26.7	36
140	1.15	35	14	25	36

Tank Fill Rates	
2.5 GALLON TANK	FILL RATE
0 to 200 PSI	3 min. 40 sec. (± 10 sec.)
165 to 200 PSI	55 sec. (± 10 sec.)
5.0 GALLON TANK	FILL RATE
0 to 200 PSI	7 min. 10 sec. (± 15 sec.)
165 to 200 PSI	1 min. 40 sec. (± 10 sec.)

Applications include:

