

250C-IG Compressor

150 PSI / 0.88 CFM 12V / 1.00 CFM 24V

12V Max. Amp Draw: 11 Amps

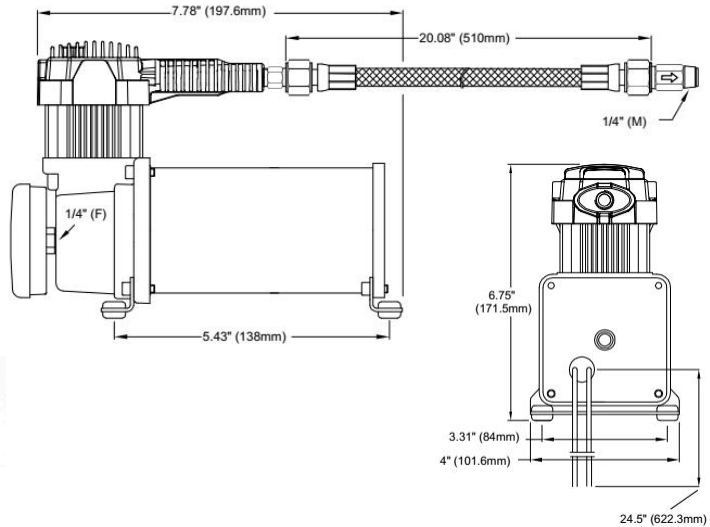
24V Max. Amp Draw: 6 Amps

P/N 25050 - 12V €€

P/N 25058 - 24V €€



The 250 IG air compressors are medium-duty, 150 PSI industrial units designed to fill air tanks and feature a head assembly designed for better heat dissipation. They're equipped with a separate stainless steel braided PTFE-lined leader hose and check valve assembly that protects the compressor against high amperage restarts. Available in 12V or 24V.



Please contact your representative for pricing.

Included Parts:

- Thermal Overload Protector
- Vibration Isolators
- Mounting Hardware
- Heavy Duty 1/4" NPT Check Valve
- Stainless Steel Braided PTFE-lined Leader Hose
- Air Line for Remote Mount Air Filter
- Remote Mount Air Filter Assembly
- (2) Replacement Air Filter Elements
- Installation Instructions

Recommended Components

- 0.5 Gallon Tank - P/N 91005;
- 1.0 Gallon Tank - P/N 91010;
- 2.0 Gallon Tank - P/N 91022;
- 2.5 Gallon Tank - P/N 91025;
- 12V Relay - P/N 93940, 93977, 93980;
- 24V Relay - P/N 93943, 93979;
- Pressure Switches - P/N 90100, 90101, 90102;
- Pressure Switches with Relay - P/N 90110*, 90111*, 90113*;
- Sealed Pressure Switch - P/N 90217, 90223, 90227;

* For 12V Only.

Specifications:

- 12-Volt or 24-Volt
- Permanent Magnetic Motor
- Duty Cycle: **100% @ 100 PSI**
- Max. Working Pressure: **150 PSI**
- Max. Air Tank: **2.5 Gallon**
- Max. 12V Amp Draw: **11-Amps**
- Max. 24V Amp Draw: **6-Amps**
- Ingress Protection Rating: **IP67**
- Min. Ambient Temp: **-40° F**
- Max. Ambient Temp: **158° F**
- Dimensions:
7.4" L x 3.9" W x 6.75" H
- Net Weight: 6.75 lbs.

Performance Data						
12-VOLT COMPRESSOR - Supply Voltage 13.8 Volts						
PSI	CFM	A	BAR	LPM	A	
0	0.88	6	0	25	6	
20	0.78	7	2	21	8	
40	0.67	9	4	17.3	10	
60	0.6	10	6	14.2	11	
80	0.52	10	8	11.3	11	
100	0.45	11	10	8.7	11	

Performance Data						
24-VOLT COMPRESSOR - Supply Voltage 28 Volts						
PSI	CFM	A	BAR	LPM	A	
0	1	3	0	28.3	3	
20	0.84	4	2	22.2	4	
40	0.71	4	4	17.7	5	
60	0.61	5	6	14.6	5	
80	0.54	5	8	11.7	5	
100	0.47	6	10	8.8	5	

Tank Fill Rates		
1.0 GALLON TANK	12-Volt	24-Volt
0 to 105 PSI	1 min. 50 sec. (± 10 sec.)	1 min. 45 sec. (± 10 sec.)
85 to 105 PSI	27 sec. (± 05 sec.)	26 sec. (± 05 sec.)
0 to 145 PSI	2 min. 45 sec. (± 10 sec.)	2 min. 45 sec. (± 10 sec.)
110 to 145 PSI	1 min. 05 sec. (± 05 sec.)	55 sec. (± 05 sec.)
2.5 GALLON TANK	12-Volt	24-Volt
0 to 105 PSI	4 min. 45 sec. (± 10 sec.)	4 min. 15 sec. (± 10 sec.)
85 to 105 PSI	1 min. 05 sec. (± 05 sec.)	1 min. 00 sec. (± 05 sec.)
0 to 145 PSI	7 min. 05 sec. (± 15 sec.)	7 min. 00 sec. (± 15 sec.)
110 to 145 PSI	2 min. 35 sec. (± 10 sec.)	2 min. 15 sec. (± 10 sec.)

Applications include:

