

150C-IG Compressor

150 PSI / 1.37 CFM* 12V / 1.55 CFM* 24V

12V Max. Amp Draw: 15 Amps

24V Max. Amp Draw: 8 Amps

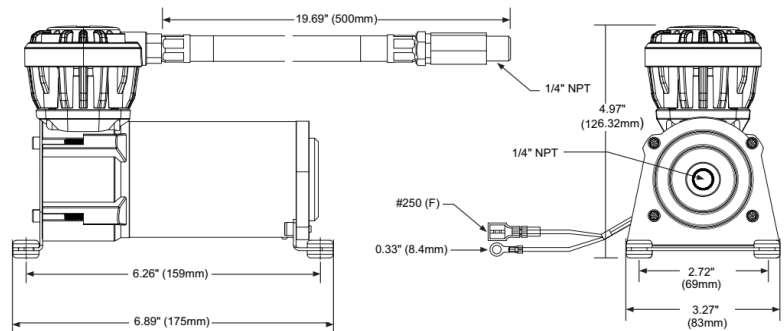
P/N 15010 - 12V

P/N 15018 - 24V



VIAIR's 150 Industrial Grade compressor produces 1.37 CFM (12V) & 1.55 CFM (24V) with a 20% duty cycle and has a max operating pressure of 150 PSI, making it an ideal choice for those looking for a compact solution for light-duty applications. RoHS and REACH compliant and CE certified, the 150C IG is equipped with a stainless steel braided leader hose and check valve assembly that eliminates the possibility of high amperage starts.

Please Note: Use thread sealant for proper installation. Thread tape is not recommended. Properly sealed, recommended torque for 1/8" is 10 ~ 11 ft. lbs. Recommended torque for 1/4" and 3/8" is 16 ~ 18 ft. lbs.



Please contact your representative for pricing.

Included Parts:

- Check Valve
- Vibration Isolators
- Mounting Hardware
- Installation Instructions

Recommended Components:

- 0.5 Gallon Tank - P/N 91005;
- 1.0 Gallon Tank - P/N 91010; 91014;
- 12V Relay - P/N 93940;
- 24V Relay - P/N 93943, 93979;
- Pressure Switches - P/N 90100, 90101, 90102;
- Pressure Switches with Relay - P/N 90110*, 90111*, 90113*;
- Sealed Pressure Switches - P/N 90212, 90217, 90223;
- Leader Hose without Check Valve - P/N 92801

Specifications:

- 12-Volt / 24-Volt
- Permanent Magnetic Motor
- Duty Cycle: **20% @ 100 PSI**
- Max. Working Pressure: **150 PSI**
- Max. Air Tank: **1.0 Gallon**
- Max. 12V Amp Draw: **15-Amps**
- Max. 24V Amp Draw: **8-Amps**
- Ingress Protection Rating: **IP67**
- Max Ambient Temp: **+158°F**
- Min Ambient Temp: **-40°F**
- Dimensions: 6.9"L x 3.3"W x 5.0"H
- Net Weight: 4.10 lbs.

Performance Data						
12-VOLT COMPRESSOR - Supply Voltage 13.8 Volts						
PSI	CFM	A	BAR	LPM	A	
0	1.37	5	0	38.7	5	
20	1.07	8	2	29.3	9	
40	0.91	10	4	22.7	11	
60	0.79	11	6	20.7	12	
80	0.74	12	8	17.7	12	
100	0.69	12	10	14	12	

Performance Data						
24-VOLT COMPRESSOR - Supply Voltage 28 Volts						
PSI	CFM	A	BAR	LPM	A	
0	1.55	3	0	44	3	
20	1.18	4	2	31.7	5	
40	1.02	5	4	25.7	6	
60	0.91	6	6	22.3	6	
80	0.82	6	8	18	6	
100	0.66	6	10	14.7	6	

Tank Fill Rates		
0.5 GALLON TANK	12-Volt	24-Volt
0 to 105 PSI	35 sec. (± 05 sec.)	30 sec. (± 03 sec.)
85 to 105 PSI	10 sec. (± 03 sec.)	6 sec. (± 02 sec.)
0 to 145 PSI	1 min. 00 sec. (± 05 sec.)	58 sec. (± 05 sec.)
110 to 145 PSI	20 sec. (± 03 sec.)	19 sec. (± 03 sec.)
1.0 GALLON TANK	12-Volt	24-Volt
0 to 105 PSI	1 min. 10 sec. (± 10 sec.)	1 min. 3 sec. (± 05 sec.)
85 to 105 PSI	20 sec. (± 03 sec.)	13 sec. (± 02 sec.)
0 to 145 PSI	1 min. 55 sec. (± 10 sec.)	1 min. 45 sec. (± 10 sec.)
110 to 145 PSI	40 sec. (± 05 sec.)	35 sec. (± 05 sec.)

*Due to redundant restrictions added to apparatus, for flow rate testing, actual flow rate at 0 psi may vary

* For 12V Only.

Applications include:

