

97C Compressor

130 PSI / 1.53 CFM 12V / 1.27 CFM 24V

12V Max. Amp Draw: 12 Amps

24V Max. Amp Draw: 7 Amps

P/N 00097 - 12V

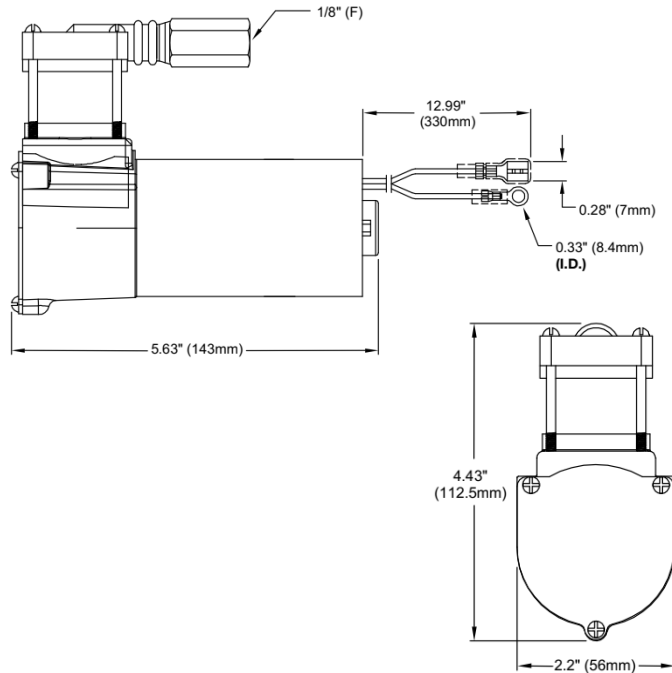
P/N 02497 - 24V



The 97C is a light duty air compressor for smaller pneumatic requirements. It's designed to fill no larger than a 1 gallon tank, comes with a check valve and is available in 12 or 24-volt. No mounting hardware included.

Please Note: Use thread sealant for proper installation. Thread tape is not recommended.

Properly sealed, recommended torque for 1/8" is 10 ~ 11 ft. lbs. Recommended torque for 1/4" and 3/8" is 16 ~ 18 ft. lbs.



Please contact your representative for pricing.

Included Parts:

- Check Valve
- Installation Instructions

Recommended Components:

- 0.5 Gallon Tank - P/N 91005;
- 1.0 Gallon Tank - P/N 91010; 91014;
- 12V Relay - P/N 93940;
- 24V Relay - P/N 93943;
- Pressure Switches - P/N 90100, 90101;
- Sealed Pressure Switch - P/N 90223, 90212;

Specifications:

- 12-Volt /24-Volt
- Permanent Magnetic Motor
- Duty Cycle: 10% @ 100 PSI
- Max. Working Pressure: 130 PSI
- Max. Air Tank Size: 1.0 Gallon
- Max. 12V Amp Draw: 12-Amps
- Max. 24V Amp Draw: 7-Amps
- Ingress Protection Rating: IP54
- Max Ambient Temp: +158°F
- Min Ambient Temp: -40°F
- Dimensions:
5.6" L x 2.2" W x 4.4" H
- Net Weight: 2.25 lbs.

Applications include:



Performance Data						
12-VOLT COMPRESSOR - Supply Voltage 13.8 Volts						
PSI	CFM	A	BAR	LPM	A	
0	1.53	7	0	43.5	7	
10	1	9	1	28	9	
20	0.95	10	2	25.5	11	
30	0.9	11	3	22.7	11	
40	0.85	11	4	20.7	12	
50	0.77	12	5	18.3	12	
60	0.72	12	6	16.3	12	
70	0.65	12	7	13.7	12	
80	0.6	12	8	11.7	12	
90	0.54	12	9	10	11	

Performance Data						
24-VOLT COMPRESSOR - Supply Voltage 28 Volts						
PSI	CFM	A	BAR	LPM	A	
0	1.27	4	0	36	4	
10	1.09	5	1	28.5	5	
20	1.03	5	2	26.5	5	
30	0.96	5	3	24.7	6	
40	0.9	6	4	21.7	6	
50	0.83	6	5	19.7	7	
60	0.76	6	6	17	7	
70	0.7	6	7	14.3	7	
80	0.63	7	8	11.7	7	
90	0.56	7	9	8.7	6	

Tank Fill Rates	
12-VOLT COMPRESSOR	
0.5 GALLON TANK	FILL RATE
0 to 105 PSI	50 sec. (± 05 sec.)
85 to 105 PSI	15 sec. (± 03 sec.)
0 to 120 PSI	1 min. 05 sec. (± 05 sec.)
90 to 120 PSI	21 sec. (± 03 sec.)
1.0 GALLON TANK	FILL RATE
0 to 105 PSI	1 min. 40 sec. (± 10 sec.)
85 to 105 PSI	30 sec. (± 05 sec.)
0 to 120 PSI	2 min. 10 sec. (± 10 sec.)
90 to 120 PSI	45 sec. (± 05 sec.)

Tank Fill Rates	
24-VOLT COMPRESSOR	
0.5 GALLON TANK	FILL RATE
0 to 105 PSI	50 sec. (± 05 sec.)
85 to 105 PSI	15 sec. (± 03 sec.)
0 to 120 PSI	1 min. 03 sec. (± 05 sec.)
90 to 120 PSI	20 sec. (± 03 sec.)
1.0 GALLON TANK	FILL RATE
0 to 105 PSI	1 min. 40 sec. (± 10 sec.)
85 to 105 PSI	30 sec. (± 05 sec.)
0 to 120 PSI	2 min. 05 sec. (± 10 sec.)
90 to 120 PSI	45 sec. (± 05 sec.)

