



95C Compressor

120 PSI / 1.03 CFM 12V / 1.03 CFM 24V

12V Max. Amp Draw: 10 Amps

24V Max. Amp Draw: 6 Amps

P/N 00094 - 12V - Black CE

P/N 00095 - 12V - Silver CE

P/N 02495 - 24V - Silver CE

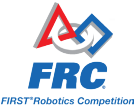


The 95C is a light duty air compressor for smaller pneumatic requirements. It's designed to fill no larger than a 1 gallon tank, features an omega bracket, check valve and is available in 12 or 24-volt.

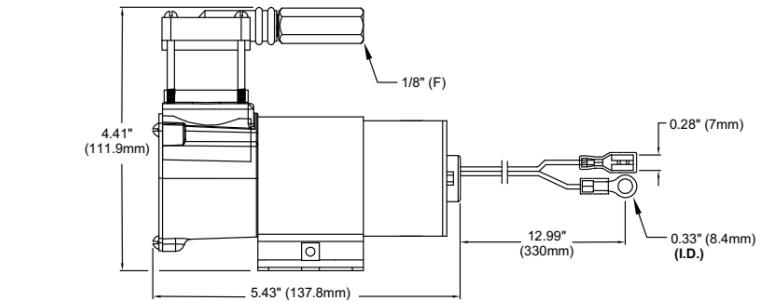
Please Note: Use thread sealant for proper installation. Thread tape is not recommended. Properly sealed, recommended torque for 1/8" is 10 ~ 11 ft. lbs. Recommended torque for 1/4" and 3/8" is 16 ~ 18 ft. lbs.



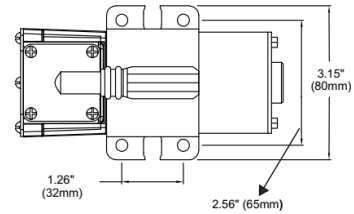
APPROVED FOR



P/N 00095, 02495



P/N 00094



Please contact your representative for pricing.

Included Parts:

- Omega Bracket
- Check Valve
- Vibration Isolators
- Mounting Hardware
- Installation Instructions

Recommended Components:

- 0.5 Gallon Tank - P/N 91005;
- 1.0 Gallon Tank - P/N 91010; 91014;
- 12V Relay - P/N 93940;
- 24V Relay - P/N 93943;
- 1.0 Gallon Tank - P/N 91010, 91014
- Pressure Switches - P/N 90100, 90101;
- Sealed Pressure Switch - P/N 90223; 90212;

Specifications:

- 12-Volt / 24-Volt
- Permanent Magnetic Motor
- Duty Cycle: 9% @ 100 PSI
- Max. Working Pressure: 120 PSI
- Max. Air Tank Size: 1.0 Gallon
- Max. 12V Amp Draw: 10-Amps
- Max. 24V Amp Draw: 6-Amps
- Ingress Protection Rating: IP54
- Max Ambient Temp: +158°F
- Min Ambient Temp: -40°F
- Dimensions: 5.4" L x 3.1" W x 4.6" H
- Net Weight: 2.55 lbs.

Performance Data					
12-VOLT COMPRESSOR - Supply Voltage 13.8 Volts					
PSI	CFM	A	BAR	LPM	A
0	1.03	7	0	29	7
10	0.71	8	1	19	8
20	0.67	8	2	18	9
30	0.64	9	3	16.5	9
40	0.6	9	4	15	10
50	0.57	9	5	13.5	10
60	0.53	10	6	12.5	10
70	0.48	10	7	11	10
80	0.45	10	8	10	9

Performance Data					
24-VOLT COMPRESSOR - Supply Voltage 28 Volts					
PSI	CFM	A	BAR	LPM	A
0	1.03	7	0	29	7
10	0.71	8	1	19	8
20	0.67	8	2	18	9
30	0.64	9	3	16.5	9
40	0.6	9	4	15	10
50	0.57	10	5	13.5	10
60	0.53	10	6	12.5	10
70	0.48	10	7	11	10
80	0.45	10	8	10	9

Tank Fill Rates		
0.5 GALLON TANK	12-Volt	24-Volt
0 to 105 PSI	1 min. 8 sec. (± 05 sec.)	1 min. 15 sec. (± 05 sec.)
85 to 105 PSI	16 sec. (± 03 sec.)	15 sec. (± 03 sec.)
0 to 120 PSI	1 min. 23sec. (± 05 sec.)	1 min. 20 sec. (± 05 sec.)
90 to 120 PSI	27 sec. (± 03 sec.)	25sec. (± 03 sec.)
1.0 GALLON TANK	12-Volt	24-Volt
0 to 105 PSI	2 min. 20 sec. (± 10 sec.)	2 min. 10 sec. (± 10 sec.)
85 to 105 PSI	34 sec. (± 05 sec.)	31 sec. (± 05 sec.)
0 to 120 PSI	4 min. 04 sec. (± 10 sec.)	2 min. 40 sec. (± 10 sec.)
90 to 120 PSI	54 sec. (± 05 sec.)	50 sec. (± 05 sec.)

Applications include:

