

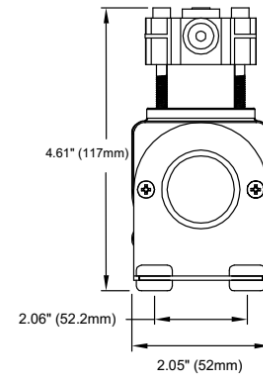
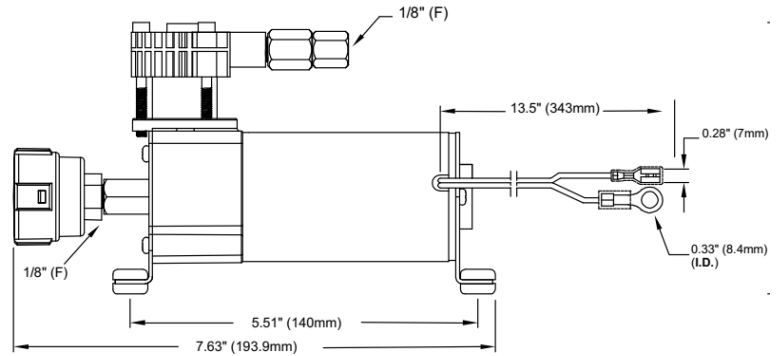


92C Compressor

120 PSI / 1.03 CFM
Max. Amp Draw: 10 Amps
P/N 00092 CE



The 92C is a light duty air compressor for smaller pneumatic requirements. It's designed to fill no larger than a 1 gallon tank, features a removable air filter, check valve and comes with mounting hardware.



APPROVED FOR



Included Parts:

- Check Valve
- Vibration Isolators
- Mounting Hardware
- Installation Instructions
- Direct Mount Air Filter Assembly

Recommended Components:

- 0.5 Gallon Tank - P/N 91005;
- 12V Relay - P/N 93940;
- Pressure Switches - P/N 90100, 90101;
- Sealed Pressure Switch - P/N 90223

Specifications:

- 12-Volt
- Permanent Magnetic Motor
- Duty Cycle: 9% @ 100 PSI
- Max. Working Pressure: 120 PSI
- Max. Air Tank Size: 1.0 Gallon
- Max. Amp Draw: 10-Amps
- Ingress Protection Rating: IP54
- Max Ambient Temp: +158°F
- Min Ambient Temp: -40°F
- Dimensions: 7.6" L x 2.0" W x 4.6" H
- Net Weight: 2.45lbs.

Performance Data					
12-VOLT COMPRESSOR - Supply Voltage 13.8 Volts					
PSI	CFM	A	BAR	LPM	A
0	1.03	7	0	29	7
20	0.67	8	2	18	9
40	0.6	9	4	15	10
60	0.53	10	6	12.5	10
80	0.45	10	8	10	9

Tank Fill Rates	
0.5 GALLON TANK	FILL RATE
0 to 105 PSI	1 min. 08 sec. (± 05 sec.)
85 to 105 PSI	16 sec. (± 03 sec.)
0 to 120 PSI	1 min. 23 sec. (± 05 sec.)
90 to 120 PSI	27 sec. (± 03 sec.)
1.0 GALLON TANK	FILL RATE
0 to 105 PSI	2 min. 20 sec. (± 10 sec.)
85 to 105 PSI	35 sec. (± 05 sec.)
0 to 120 PSI	3 min. 04 sec. (± 10 sec.)
90 to 120 PSI	54 sec. (± 05 sec.)

Applications include:

