



98C Compressor

130 PSI / 1.53 CFM

Max. Amp Draw: 12 Amps

P/N 00091 - 12V - Stealth Black CE

P/N 00098 - 12V - Chrome CE

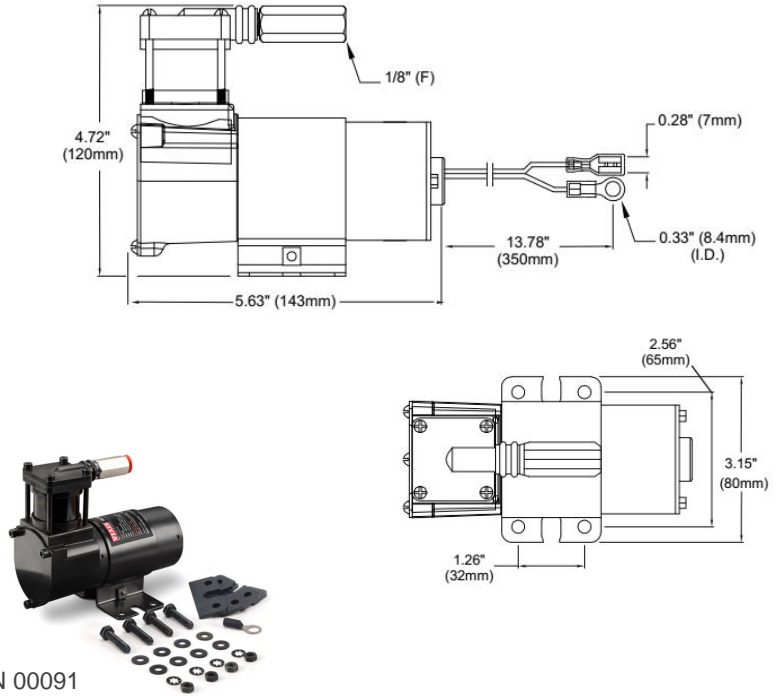


The 98C is a light duty air compressor for smaller pneumatic requirements. It's designed to fill no larger than a 1 gallon tank, features an omega bracket with mounting hardware and a check valve. Available in Stealth Black or Chrome.

Please Note: Use thread sealant for proper installation. Thread tape is not recommended. Properly sealed, recommended torque for 1/8" is 10 ~ 11 ft. lbs. Recommended torque for 1/4" and 3/8" is 16 ~ 18 ft. lbs.



P/N 00098



P/N 00091

Please contact your representative for pricing.

Included Parts:

- Omega Bracket
- Check Valve
- Vibration Isolators
- Mounting Hardware
- Installation Instructions

Recommended Components:

- 0.5 Gallon Tank - P/N 91005
- 1.0 Gallon Tank - P/N 91010, 91014
- 12V Relay - P/N 93940
- Pressure Switch - P/N 90100, 90101
- Sealed Pressure Switch - P/N 90223, 90212

Specifications:

- 12-Volt
- Permanent Magnetic Motor
- Duty Cycle: **10% @ 100 PSI**
- Max. Working Pressure: **130 PSI**
- Max. Air Tank: **1.0 Gallon**
- Max. 12V Amp Draw: 13-Amps
- Ingress Protection Rating: IP54
- Min. Ambient Temp: **-40° F**
- Max. Ambient Temp: **158° F**
- Dimensions: **5.6" L x 3.1" W x 4.7" H**
- Net Weight: **2.55 lbs.**

Performance Data					
12-VOLT COMPRESSOR - Supply Voltage 13.8 Volts					
PSI	CFM	A	BAR	LPM	A
0	1.53	7	0	43.5	7
20	0.95	10	2	25.5	11
40	0.85	11	4	20.7	12
60	0.72	12	6	16.3	12
80	0.6	12	8	11.7	12

Tank Fill Rates	
0.5 GALLON TANK	FILL RATE
0 to 105 PSI	50 sec. (± 05 sec.)
85 to 105 PSI	15 sec. (± 03 sec.)
0 to 120 PSI	1 min. 05 sec. (± 05 sec.)
90 to 120 PSI	21 sec. (± 03 sec.)
1.0 GALLON TANK	FILL RATE
0 to 105 PSI	1 min. 40 sec. (± 10 sec.)
85 to 105 PSI	30 sec. (± 05 sec.)
0 to 120 PSI	2 min. 10 sec. (± 10 sec.)
90 to 120 PSI	45 sec. (± 05 sec.)

Applications include:

