

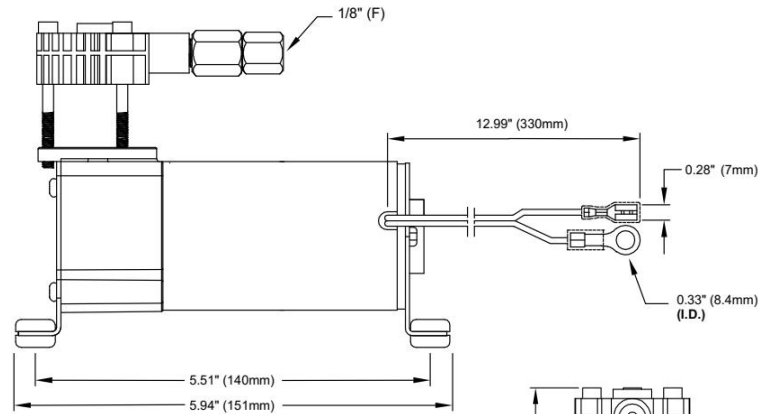
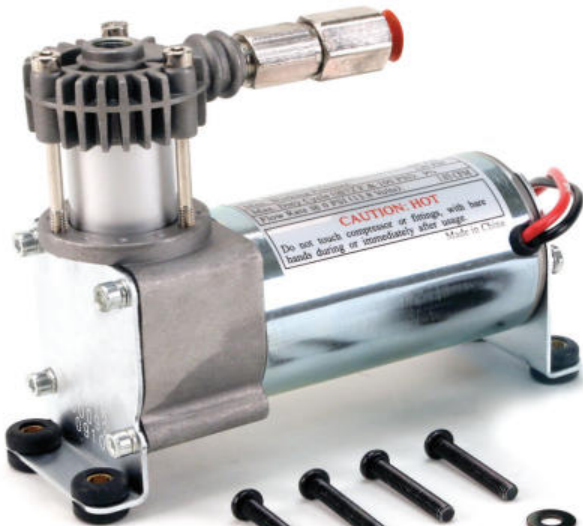
90C Compressor

120 PSI / 1.03 CFM
Max. Amp Draw: 10 Amps
P/N 00090 - 12V CE



VIAIR's 90 Series compressors offer a light duty solution for smaller air requirements and are designed to fill no larger than a 1.0 gallon air tank. Multiple duty cycles, mounting, compressor finish, and intake options are available depending on model.

Please Note: Use thread sealant for proper installation. Thread tape is not recommended. Properly sealed, recommended torque for 1/8" is 10 ~ 11 ft. lbs. Recommended torque for 1/4" and 3/8" is 16 ~ 18 ft. lbs.



APPROVED FOR



Please contact your representative for pricing.

Included Parts:

- Check Valve
- Vibration Isolators
- Mounting Hardware
- Installation Instructions

Recommended Components:

- 0.5 Gallon Tank - P/N 91005;
- 1.0 Gallon Tank - P/N 91010, 91014
- 12V Relay - P/N 93940;
- Pressure Switches - P/N 90100, 90101;
- Sealed Pressure Switch - P/N 90223, 90212

Specifications:

- 12-Volt
- Permanent Magnetic Motor
- Duty Cycle: **9% @ 100 PSI**
- Max. Working Pressure: **120 PSI**
- Max. Air Tank: **1.0 Gallon**
- Min. Ambient Temp: **-40° F**
- Max. Ambient Temp: **158° F**
- Net Weight: **2.4 lbs.**
- Ingress Protection Rating: **IP54**

Dimensions:

(L) 5.9" x (W) 2.1" x (H) 4.5"

Performance Data					
12-VOLT COMPRESSOR - Supply Voltage 13.8 Volts					
PSI	CFM	A	BAR	LPM	A
0	1.03	7	0	29	7
20	0.67	8	2	18	9
40	0.6	9	4	15	10
60	0.53	10	6	12.5	10
80	0.45	10	8	10	9
100	0.39	9			
120	0.34	9			

Tank Fill Rates	
0.5 GALLON TANK	FILL RATE
0 to 105 PSI	1 min. 08 sec. (± 05 sec.)
85 to 105 PSI	16 sec. (± 03 sec.)
0 to 120 PSI	1 min. 23 sec. (± 05 sec.)
90 to 120 PSI	27 sec. (± 03 sec.)
1.0 GALLON TANK	FILL RATE
0 to 105 PSI	2 min. 20 sec. (± 10 sec.)
85 to 105 PSI	35 sec. (± 05 sec.)
0 to 120 PSI	3 min. 04 sec. (± 10 sec.)
90 to 120 PSI	54 sec. (± 05 sec.)

Applications include:

