

# 330C-HG Compressor

12V

24V

200 PSI / 1.43 CFM

200 PSI / 1.40 CFM

Max AMP Draw: 14 AMPS

Max AMP Draw: 8 AMPS

P/N 33035 - 12V

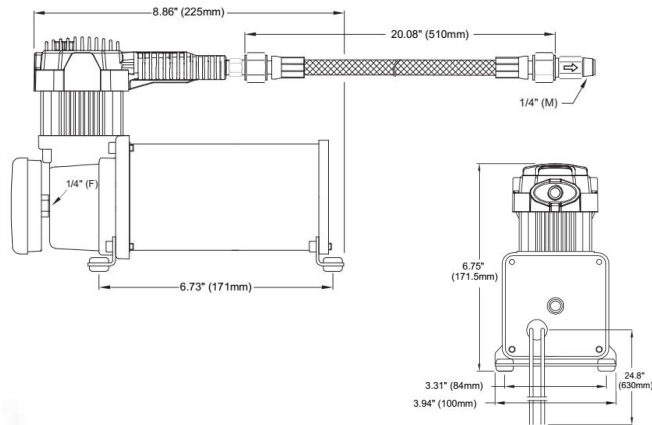
P/N 33038 - 24V



The 330 Hyper Grade air compressors are medium-duty, 200 PSI industrial units designed to fill air tanks and feature a head assembly designed for better heat dissipation. They're equipped with a separate stainless steel braided PTFE-lined leader hose and check valve assembly that protects the compressor against high amperage restarts. Available in 12V or 24V.

**Please Note:** Use thread sealant for proper installation. Thread tape is not recommended.

Properly sealed, recommended torque for 1/8" is 10 ~ 11 ft. lbs. Recommended torque for 1/4" and 3/8" is 16 ~ 18 ft. lbs.



Please contact your representative for pricing.

**Included Parts:**

- Thermal Overload Protector
- Vibration Isolators
- Mounting Hardware
- Heavy Duty 1/4" NPT Check Valve
- Stainless Steel Braided PTFE-lined Leader Hose
- Air Line for Remote Mount Air Filter
- Remote Mount Air Filter Assembly
- (2) Replacement Air Filter Elements
- Installation Instructions

**Recommended Components:**

- 12V Relay - P/N 93940, 93977, 93980;
- Pressure Switches - All Pressure Switches

24V Relay - P/N 93943, 93979;

Pressure Switches - All Pressure Switches

**Specifications:**

- 12-Volt or 24-Volt
- Permanent Magnetic Motor
- Duty Cycle: **100% @ 100 PSI**  
**50% @ 200 PSI**
- Max. Working Pressure: **200 PSI**
- Max. Air Tank: **5.0 Gallon**
- Min. Ambient Temp: **-40° F**
- Max. Ambient Temp: **158° F**
- Net Weight: **8.25 lbs.**
- Ingress Protection Rating: **IP67**

**Dimensions:**

(L) 9" x (W) 4" x (H) 6.75"

Performance Data						
12-VOLT COMPRESSOR - Supply Voltage 13.8 Volts						
PSI	CFM	A	BAR	LPM	A	
0	1.43	7	0	41	7	
20	0.95	9	2	25	10	
40	0.85	11	4	21	12	
60	0.74	12	6	17	13	
80	0.64	13	8	14	13	
100	0.55	13	10	10	14	

Performance Data						
24-VOLT COMPRESSOR - Supply Voltage 28 Volts						
PSI	CFM	A	BAR	LPM	A	
0	1.4	4	0	39.7	4	
20	1.01	6	2	27.7	6	
40	0.93	7	4	24.3	7	
60	0.86	7	6	21.7	8	
80	0.79	8	8	18.3	8	
100	0.72	8	10	15.3	8	

Tank Fill Rates		
12-VOLT COMPRESSOR		
2.5 GALLON TANK	FILL RATE	
0 to 145 PSI	5 min. 10 sec. (± 15 sec.)	
110 to 145 PSI	1 min. 40 sec. (± 10 sec.)	
0 to 200 PSI	8 min. 30 sec. (± 15 sec.)	
165 to 200 PSI	2 min. 30 sec. (± 10 sec.)	
5.0 GALLON TANK	FILL RATE	
0 to 145 PSI	10 min. 40 sec. (± 15 sec.)	
110 to 145 PSI	3 min. 25 sec. (± 05 sec.)	
0 to 200 PSI	17 min. 30 sec. (± 15 sec.)	
165 to 200 PSI	4 min. 32 sec. (± 10 sec.)	

Tank Fill Rates		
24-VOLT COMPRESSOR		
2.5 GALLON TANK	FILL RATE	
0 to 145 PSI	5 min. 00 sec. (± 10 sec.)	
110 to 145 PSI	1 min. 30 sec. (± 5 sec.)	
0 to 200 PSI	8 min. 00 sec. (± 15 sec.)	
165 to 200 PSI	2 min. 00 sec. (± 5 sec.)	
5.0 GALLON TANK	FILL RATE	
0 to 145 PSI	10 min. 32 sec. (± 15 sec.)	
110 to 145 PSI	3 min. 22 sec. (± 10 sec.)	
0 to 200 PSI	17 min. 28 sec. (± 15 sec.)	
165 to 200 PSI	4 min. 38 sec. (± 10 sec.)	

Applications include:

