



100C Compressor

130 PSI / 1.27 CFM

Max. Amp Draw: 14 Amps

P/N 10016 - 12V - CHROME, Omega Brkt **CE**
 P/N 10019 - 12V - BLACK, Omega Brkt **CE**



The 100C is our most powerful light duty air compressor. It's designed to fill no larger than a 1 gallon tank, has a max run time of 9 minutes and is offered in 3 different configurations.

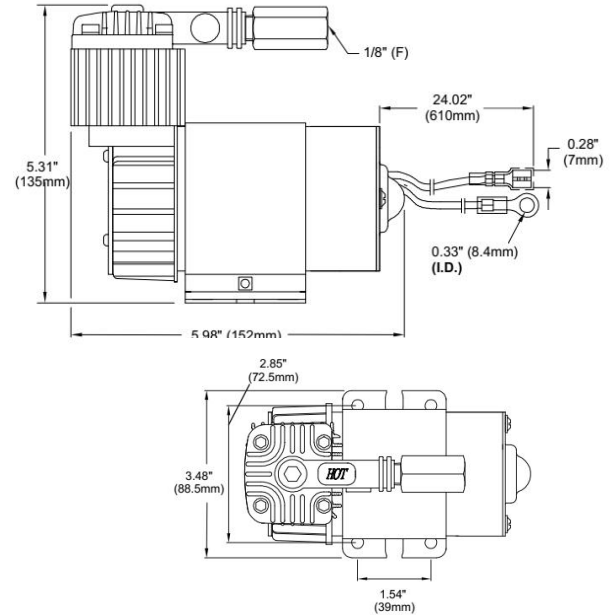
Please Note: Use thread sealant for proper installation. Thread tape is not recommended. Properly sealed, recommended torque for 1/8" is 10 ~ 11 ft. lbs. Recommended torque for 1/4" and 3/8" is 16 ~ 18 ft. lbs.



P/N 10016



P/N 10019



Please contact your representative for pricing.

Included Parts:

- Thermal Overload Protector
- Check Valve
- Vibration Isolators
- Mounting Hardware
- Stainless Steel Braided Leader Hose
- Air Line for Remote Mount Air Filter
- Remote Mount Air Filter Assembly
- (2) Replacement Air Filter Elements
- Installation Instructions

Recommended Components:

- 0.5 Gallon Tank - P/N 91005;
- 1.0 Gallon Tank - P/N 91010; 91014;
- 12V Relay - P/N 93940;
- Pressure Switches - P/N 90100, 90101;
- Pressure Switches with Relay - P/N 90110, 90113;
- Sealed Pressure Switches - P/N 90212, 90223;
- Leader Hose without Check Valve - P/N 92801;
- Leader Hose with Check Valve - P/N 92807

Specifications:

- 12-Volt
- Permanent Magnetic Motor
- Duty Cycle: 15% @ 100 PSI
- Max. Working Pressure: 130 PSI
- Max. Air Tank Size: 1.0 Gallon
- Max. 12V Amp Draw: 16-Amps
- Ingress Protection Rating: IP54
- Max Ambient Temp: +158°F
- Min Ambient Temp: -40°F
- Dimensions: 6.35" L x 3.3" W x 4.9" H
- Net Weight: 3.55 lbs.

Performance Data

PSI	CFM	A	BAR	LPM	A
0	1.27	9	0	36.0	9
40	0.76	12	3	21.0	12
90	0.59	12	6	17.0	12
130	0.45	12	9	12.3	12

Tank Fill Rates

0.5 Gallon Tank	Fill Rate
0 to 105 PSI	50 sec. (±05 sec.)
85 to 105 PSI	10 sec. (±03 sec.)
0 to 120 PSI	1 min. 00 sec. (±05 sec.)
90 to 120 PSI	17 sec. (±03 sec.)
1.0 Gallon Tank	Fill Rate
0 to 105 PSI	1 min. 40 sec. (±10 sec.)
85 to 105 PSI	25 sec. (±05 sec.)
0 to 120 PSI	2 min. 00 sec. (±10 sec.)
90 to 120 PSI	35 sec. (±05 sec.)

Applications include:

