

DIMENSIONS - MM

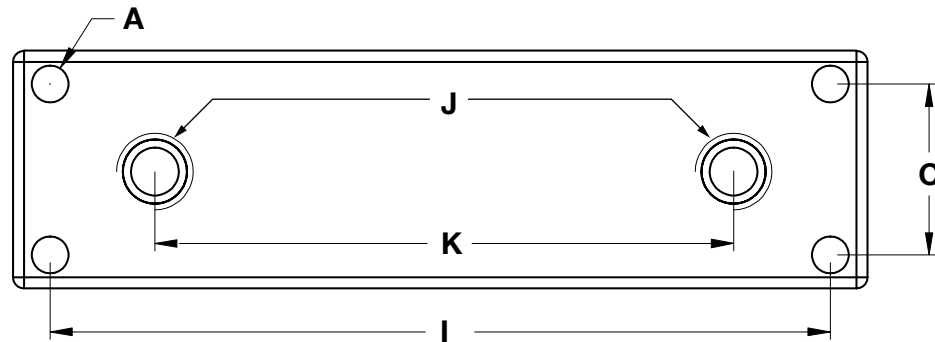
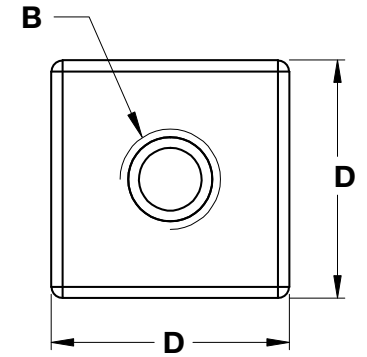
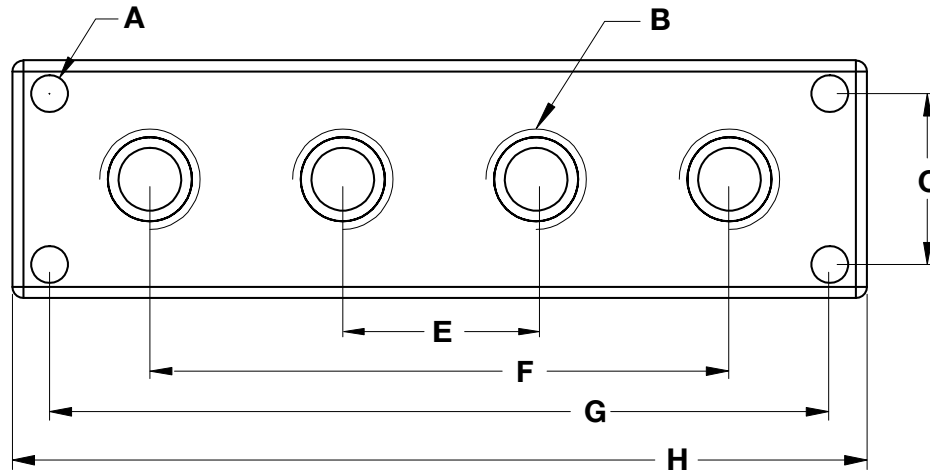
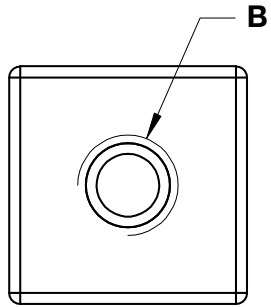
Part Number	A	B	C	D	E	F	G	H	I
92820	5.0	1/4" NPT Female	23.0	32.0	26.0	78.0	105.0	115.0	105.0

* All measurements in millimeters, unless otherwise noted.

DIMENSIONS - IN

Part Number	A	B	C	D	E	F	G	H	I
92820	0.20	1/4" NPT Female	0.91	1.26	1.02	3.07	4.13	4.53	4.13

* All measurements in inches, unless otherwise noted.



DIMENSIONS - MM

PART NUMBER	A	B	C	D	E	F	G	H	I	J	K
92827	5.0	1/4" NPT (F)	23.0	32.0	26.0	78.0	105.0	115.0	105.0	1/8" BSP (F)	76.0

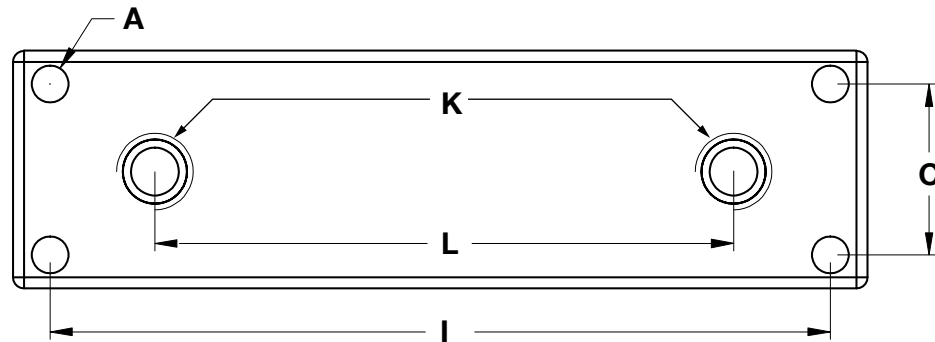
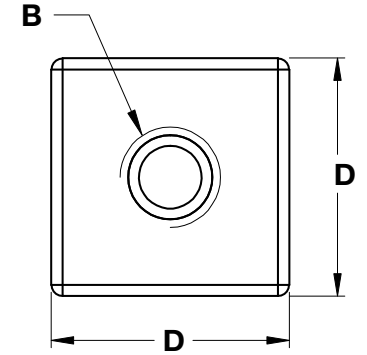
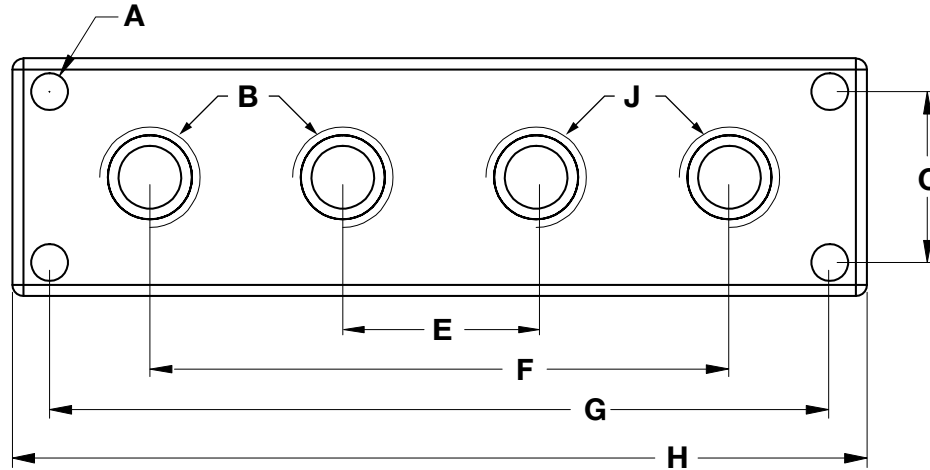
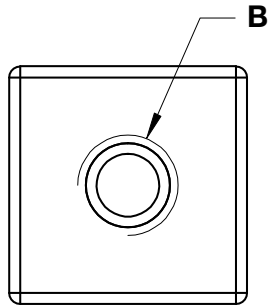
* All measurements in millimeters, unless otherwise noted, +/- 1mm.

DIMENSIONS - IN

PART NUMBER	A	B	C	D	E	F	G	H	I	J	K
92827	0.20	1/4" NPT (F)	0.91	1.26	1.02	3.07	4.13	4.53	4.13	1/8" BSP (F)	2.99

* All measurements in inches, unless otherwise noted, +/- .039".

** All fittings are NPT, unless otherwise noted.



DIMENSIONS - MM

PART NUMBER	A	B	C	D	E	F	G	H	I	J	K	L
92828	5.0	1/4" NPT (F)	23.0	32.0	26.0	78.0	105.0	115.0	105.0	3/8" NPT (F)	1/8" BSP (F)	76.0

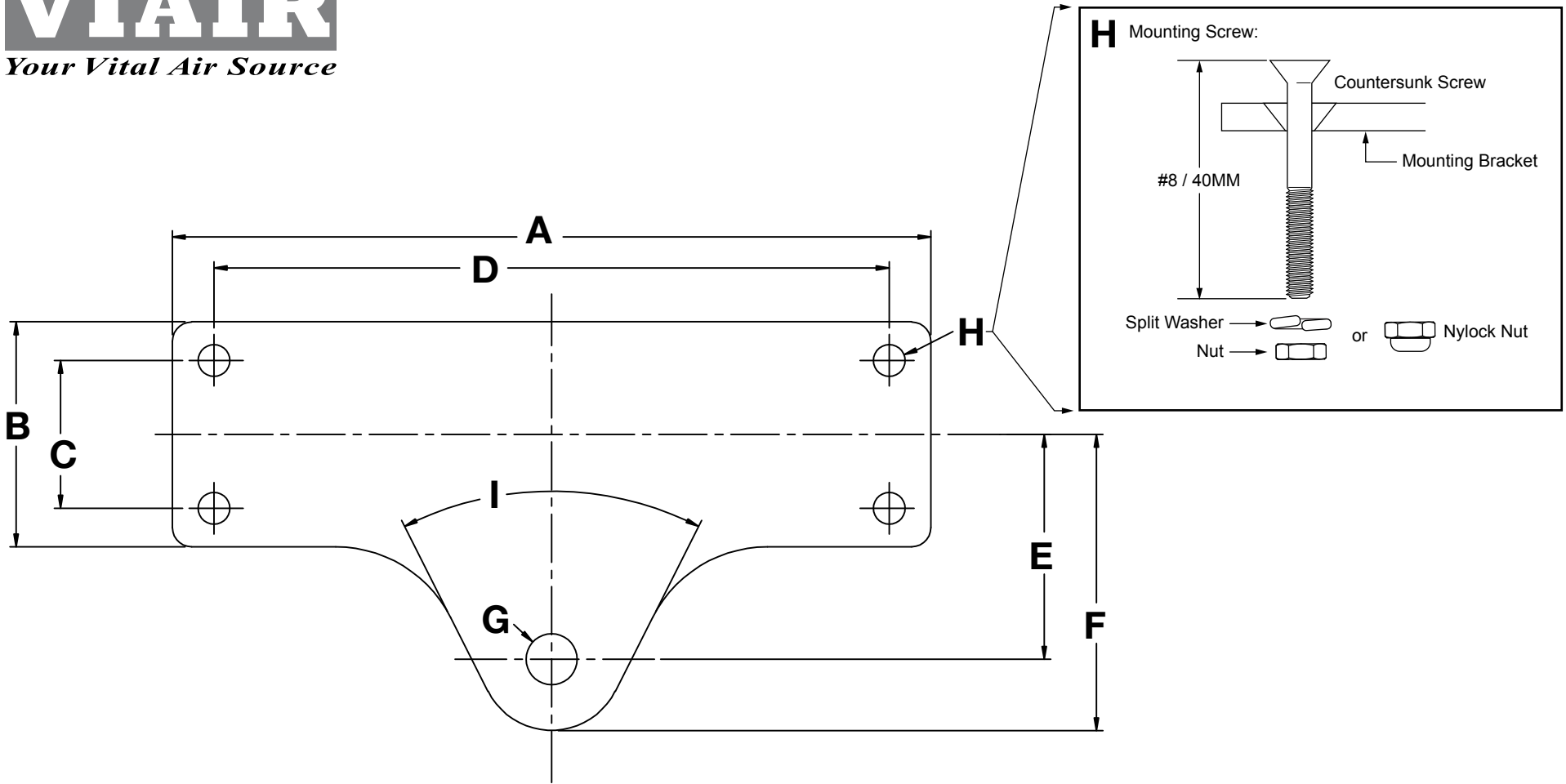
* All measurements in millimeters, unless otherwise noted, +/- 1mm.

DIMENSIONS - IN

PART NUMBER	A	B	C	D	E	F	G	H	I	J	K	L
92828	0.20	1/4" NPT (F)	0.91	1.26	1.02	3.07	4.13	4.53	4.13	3/8" NPT (F)	1/8" BSP (F)	2.99

* All measurements in inches, unless otherwise noted, +/- .039".

** All fittings are NPT, unless otherwise noted.



DIMENSIONS - MM									
PART NUMBER	A	B	C	D	E	F	G	H	I
92820-92827-92828	118.0	35.0	23.0	105.0	35.0	46.1	8.0	5.0	54°

* All measurements in millimeters, unless otherwise noted, +/- 1mm.

DIMENSIONS - IN									
PART NUMBER	A	B	C	D	E	F	G	H	I
92820-92827-92828	4.64	1.36	0.90	4.13	1.38	1.81	0.31	0.20	54°

* All measurements in inches, unless otherwise noted, +/- .039".

** All fittings are NPT, unless otherwise noted.