

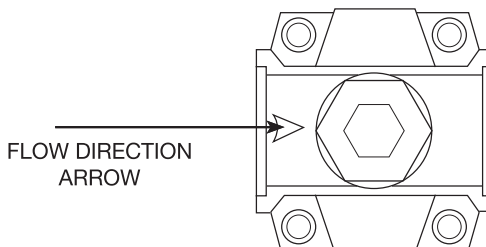
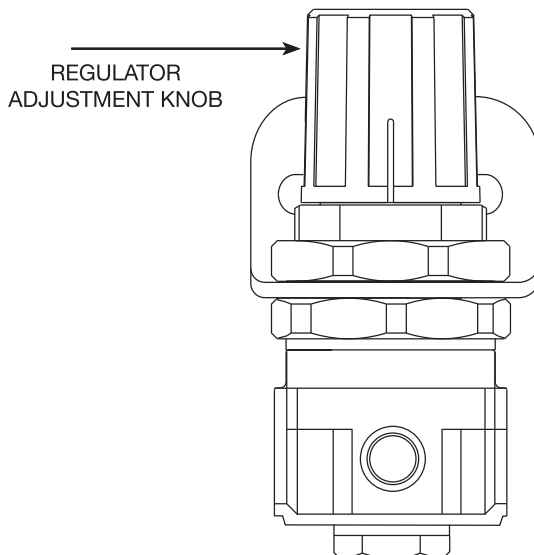
# VIAIR® PRESSURE REGULATOR

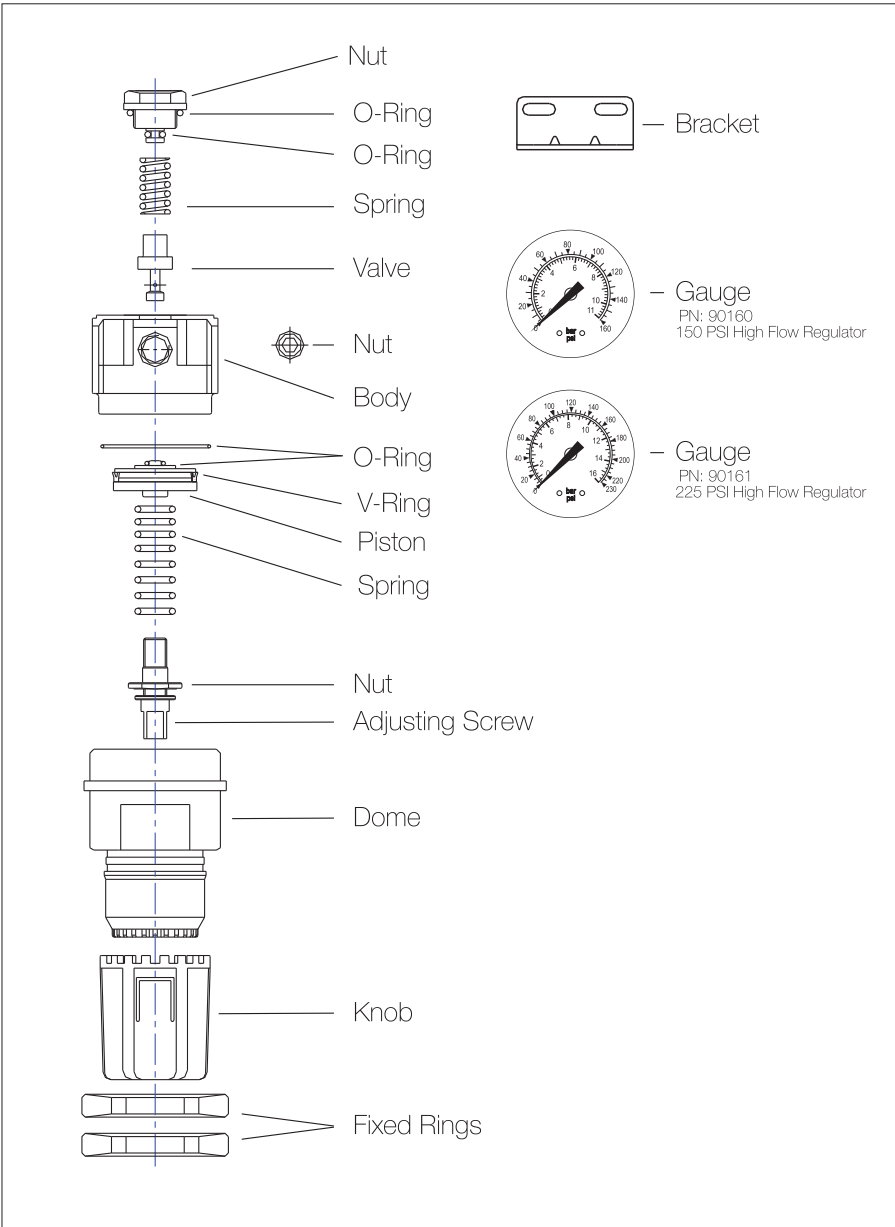
PNs - 90160-90161

## INSTALLATION

---

1. Drain air pressure completely from storage tank and air lines before attempting to install regulator.
2. Locate air flow directional arrows and securely install regulator using a threadlock compound with arrows pointing toward tool or work station.
3. Unlock the regulator adjusting knob by pulling knob upward or away from the regulator body.
4. Turn the regulator adjusting knob counter-clockwise until no load is on the regulating spring.
5. Securely install a gauge with appropriate pressure.
6. Turn on the air compressor to rebuild tank and line pressure. Rotate the regulator adjusting knob clockwise until the desired working pressure is achieved. Push the adjusting knob back down or toward the regulator body to lock in the desired working pressure.
7. We highly suggest the installation of a filtration device or water trap behind the regulator to remove moisture and prolong the life of the regulator and tools being operated.
8. The regulator is the most effective when installed as close as possible to the work station or tools being operated.





## LIMITED WARRANTY

---

### Description

---

The regulator maintains constant working pressure regardless of pressure fluctuations in the system or of air consumption.

### Specifications

---

Air Inlet/outlet	1/4"
Gauge Ports	1/8"
Adj. Pressure 7~140 psi (PN 90160)	
Adj. Pressure 7~200 psi (PN 90161)	
Temperature Range	23~140° F

### Unpacking

---

After unpacking the regulator, carefully inspect for any shipping damage that may have occurred. Make sure to tighten fittings, bolts, etc., before putting into service. If damage is found please keep the packaging and report the damage to the dealer promptly.

### Safety Guidelines

---

This manual contains information that is very important to know and understand. This information is provided for your SAFETY and to PREVENT EQUIPMENT PROBLEMS. To help recognize this information, observe the following symbols.

### Danger

---

Danger indicates an imminently hazardous situation which, if not avoided, will result in death or serious injury.

### Warning

---

Warning indicates a potentially hazardous situation which, if not avoided, could result in death or serious injury.

### Caution

---

Caution indicates a potentially hazardous situation which, if not avoided, may result in minor or moderate injury.

### Safety Information

---

This component is part of a high pressure system and the following safety precautions must be followed at all times along with existing safety rules. Read this instruction this device to the air supply system. Be thoroughly familiar with the controls and the proper use of this equipment.

1. Safety glasses must be worn during operation. Always work in a well ventilated area.
2. Do not exceed the pressure rating of any component in the system.
3. Protect air lines from damage and/or punctures.
4. Check air lines and/or hoses for leaks or excessive wear before each use. Make sure all connections are secure.
5. Keep all nuts, bolts and screws tight to ensure this equipment is in safe working condition.

### Danger

---

This product is specifically designed for compressed air service ONLY. Use with any other material (liquid or gas) is a misapplication and not permitted. Use or injection of certain hazardous liquids or gases in the system (such as oxygen, alcohol or liquid petroleum gas) will harm the unit and result in a combustible condition or hazardous external leakage. Misapplication will void all warranties and manufacturer's responsibilities.

### Danger

---

The relief flow capacity of this regulator is limited. Install additional pressure relief devices to alleviate over pressurized conditions. Written approval must be obtained from manufacturer if this device is to be used for life support systems or other non-industrial applications.

### Proper Installation

---

1. Do not use on a compressed air system that exceeds the maximum air flow and pressure rating of this component.
2. Locate and use the triangle ">" symbol stamped on the base during installation to achieve proper air flow.
3. Install as close as possible to the air tools being used.
4. Avoid installing in the path of direct sunshine, excessive heat, and hazardous chemicals or fumes.
5. Use water traps and lubricators to prolong the life of your entire compressed air system.

## LIMITED WARRANTY

---

1. DURATION: From the date of purchase by the original purchaser as follows: One Year.
2. WHAT IS COVERED UNDER THIS WARRANTY: Defects in material and workmanship which occur within the duration of the warranty period.
3. WHAT IS NOT COVERED UNDER THIS WARRANTY:
  - A. Implied warranties, including those of merchantability and FITNESS FOR A PARTICULAR PURPOSE ARE LIMITED FROM THE DATE OF ORIGINAL PURCHASE AS STATED IN THE DURATION. Some states do not allow limitation on how long an implied warranty lasts, so the above limitations may not apply to you.
  - B. ANY INCIDENTAL, INDIRECT, OR CONSEQUENTIAL LOSS, DAMAGE, OR EXPENSE THAT MAY RESULT FROM ANY DEFECT, FAILURE, OR MALFUNCTION OF THE THB PRODUCT. Some states do not allow the exclusion or limitation of incidental or consequential damages, so the above limitation or exclusion may not apply to you.
  - C. Any failure that results from an accident, purchaser's abuse, neglect or failure to operate products in accordance with instructions provided in the owner's manual(s) supplied with product. Accident, purchaser's abuse, neglect or failure to operate products in accordance with instructions shall also include the removal or alteration of any safety devices. If such safety devices are removed or altered, this warranty is void.
  - D. Normal adjustments which are explained in the owner's manual(s) provided with the product.
  - E. Items or service that are normally required to maintain the product, i.e. o-rings, springs, bumpers, debris shields, gaskets, packings or seals, lubricants, or any other expendable part not specifically listed. Underlined items are warranted for defects in material and workmanship only.
4. RESPONSIBILITIES OF WARRANTOR UNDER THIS WARRANTY: Repair or replace, at Warrantor's option, products or components which are defective, have malfunctioned and/or failed to conform within duration of the warranty period.
5. RESPONSIBILITIES OF PURCHASER UNDER THIS WARRANTY:
  - A. Provide dated proof of purchase and email it to [customerservice@viaircorp.com](mailto:customerservice@viaircorp.com) along with the description of the problem..
  - B. Freight charges for products shipped to VIAIR® for warranty concern are the responsibility of the person seeking warranty consideration.
  - C. Use reasonable care in the operation and maintenance of the products as described in the owner's manual(s).



**15 EDELMAN  
IRVINE, CA 92618**  
**TEL: (949) 585-0011 • FAX: (949) 585-0188**  
**TOLL FREE: (800) 618-1994**  
**[www.viaircorp.com](http://www.viaircorp.com)**

For warranty info go to: [www.viaircorp.com/warranty](http://www.viaircorp.com/warranty)